



EAUZONE

EFDT - DOMED WETROOM PANEL WITH FRAME

EWDT - DOMED WETROOM PANEL

INSTALLATION

PARTS LIST

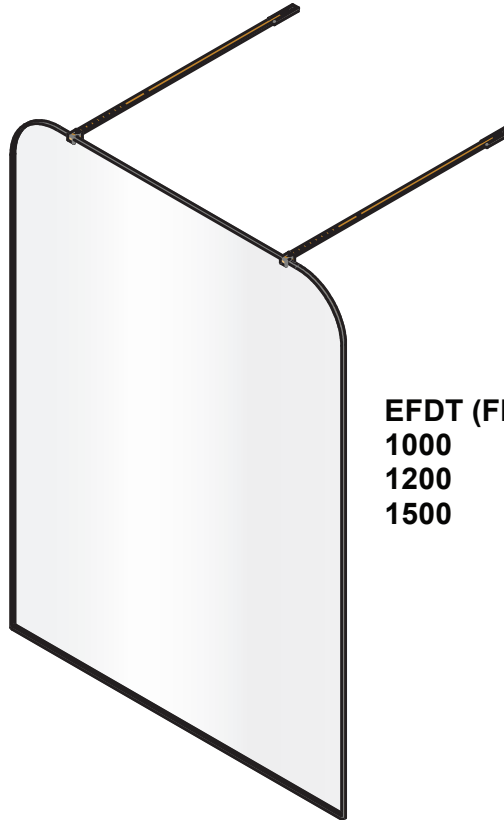
PLEASE PASS THE
GUARANTEE CARD ON TO
THE CUSTOMER



TWO PEOPLE
REQUIRED

Before Installation, please check all parts against the parts list on the back page of this booklet.

- Make sure that the parts are undamaged and that their finish is as expected.
- Should you find a faulty or damaged part, please be in touch with our Customer Services Team immediately using the contact details below.
- Any claim for faulty or damaged parts will require the affected part to be returned to Matki for inspection and testing.
- No claim for damaged parts or issues with a product finish will be accepted after the product has been installed.
- Where silicone is required, only use **neutral cure silicone**.

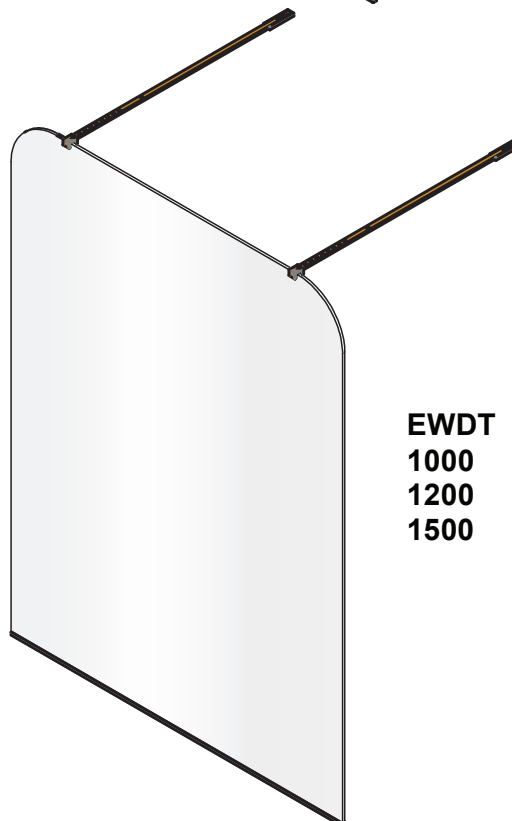


EFDT (FRAMED)

1000

1200

1500



EWDT

1000

1200

1500



matki

13

Matki PLC, Churchward Road, Yate,
Bristol BS37 5PL

EN 14428:2008+A1

MATKI PLC, CHURCHWARD ROAD, YATE, BRISTOL, BS37 5PL

TELEPHONE: 01454 322888 (CUSTOMER SERVICES) EMAIL: techsupport@matki.co.uk

IMPORTANT

TOOLS REQUIRED

Masonry Drill bit 6mm, Tape Measure, Screw Drivers, Safety Glasses, Allen Keys, Electric Drill, Level, Pencil, Adjustable Spanners, Non Slip Gloves

Before disposing of carton and/or commencing assembly, please check all the parts to ascertain that none are missing and they are all undamaged. No claim for missing/damaged parts will be accepted once the packing carton has been disposed of and/or assembly has commenced.

In case of query contact your Stockist with details of model number and details of serial number.

GENERAL INSTALLATION TIPS

- Handle parts carefully and consider wearing gloves for living and brushed finishes.
- Only use water or soapy water to clean visible parts.
- Where silicone is required, only use neutral cure silicone.
- Chemicals should be kept away from this product. Splashes and sometimes vapours from household cleaning fluids, marble sealers and grout haze removers can cause damage.

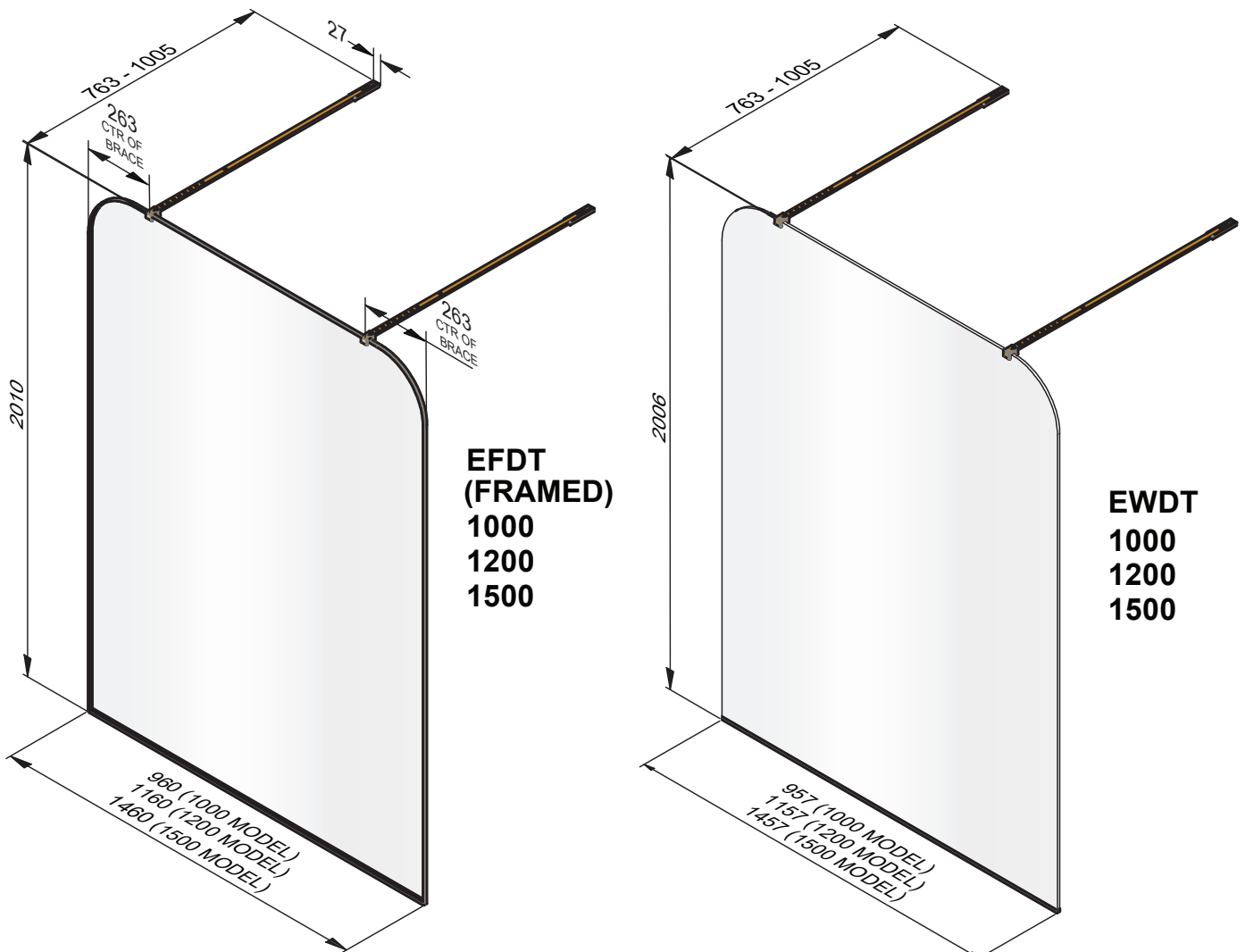
PREPARATION IMPORTANT

1. Please read complete installation instructions before fitting for enclosure and tray (if fitting).
2. We recommend that two people are available for fitting of Wetroom Panel, Stage 2. The **Eauzone Plus** range is **10mm Glass** construction. Large glass panels are very heavy. We recommend the use of safety glasses and non slip gloves when handling the glass panels.
3. Ensure that the product can be **fixed to a solid masonry wall** or suitable **timber stud work grade C16/C24** in the area behind the wall frames and panel fixing brackets.
4. Shower trays or tiled floors **must be absolutely level** where enclosures are fitted
5. If fitting a tray we recommend a **drainage test** is carried out before the tray is tiled in position.
6. The assembly should be installed onto a waterproof wall covering and installed after the tray and wall coverings are in place. Trays with tiling lips should be let into the wall with the tiling lip flush with the wall to allow the tiling to overlap the tiling lip.
7. Seal between tray and tiles. Remove any excess sealant from the area/joint between the tray and the tiles where the wall mount is to be fitted. This will ensure the wall mount fits correctly to the wall and tray/or tiled floor.

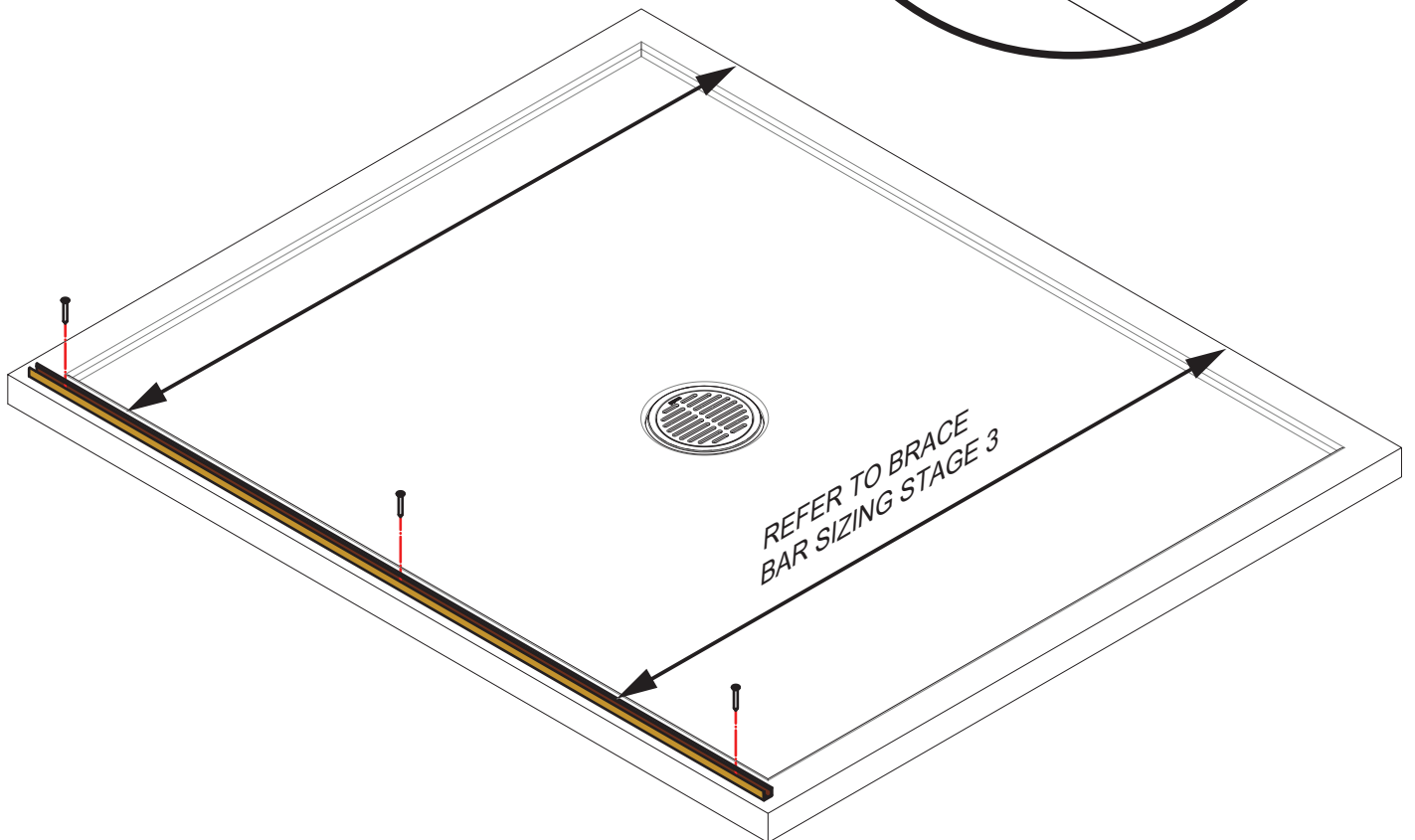
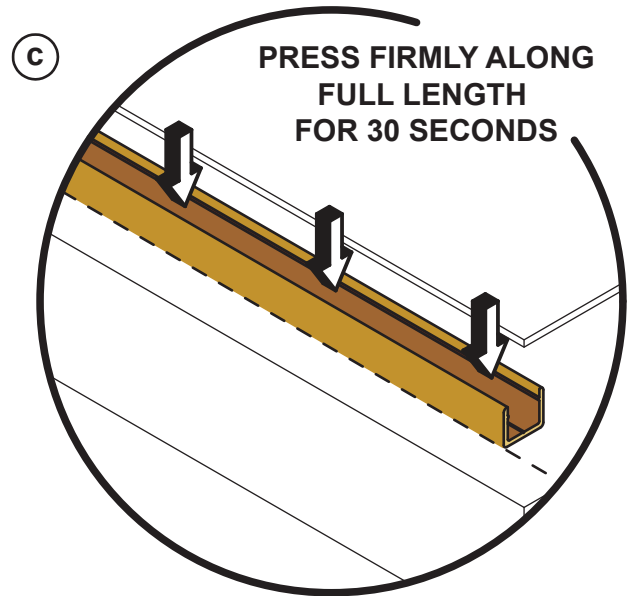
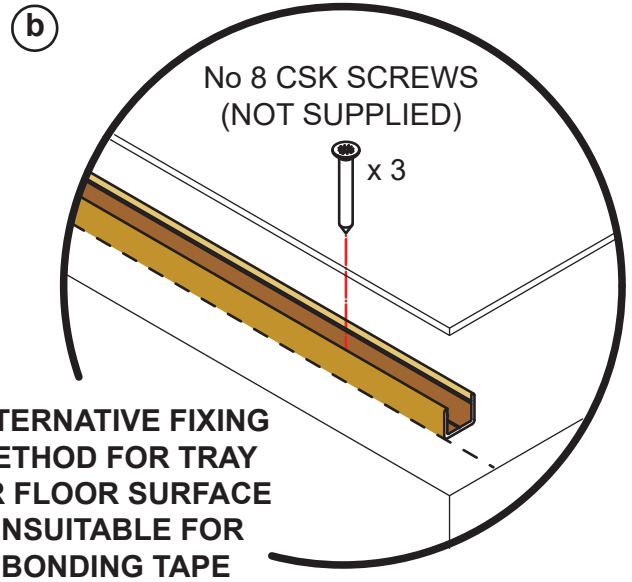
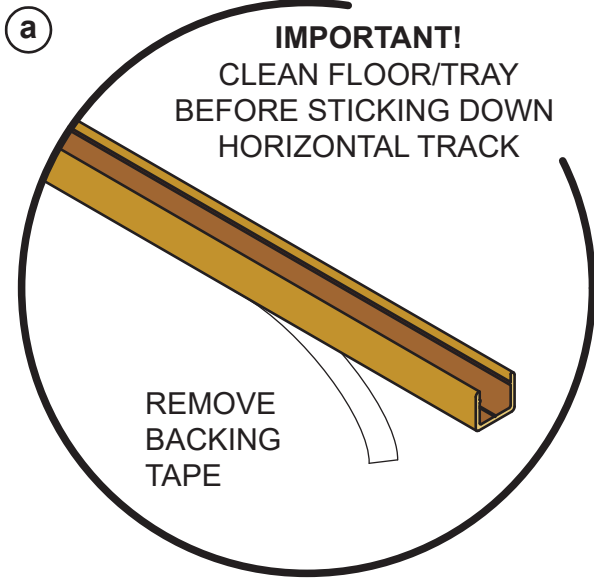
CAUTION: TEMPERED GLASS CANNOT BE CUT, POLISHED METAL AND CHROME CAN BE SCRATCHED. CAREFULLY REMOVE ASSEMBLY FROM CARTON, DO NOT PLACE GLASS ON HARD FLOOR OR EXPOSE EDGES TO IMPACT.

DIMENSIONS

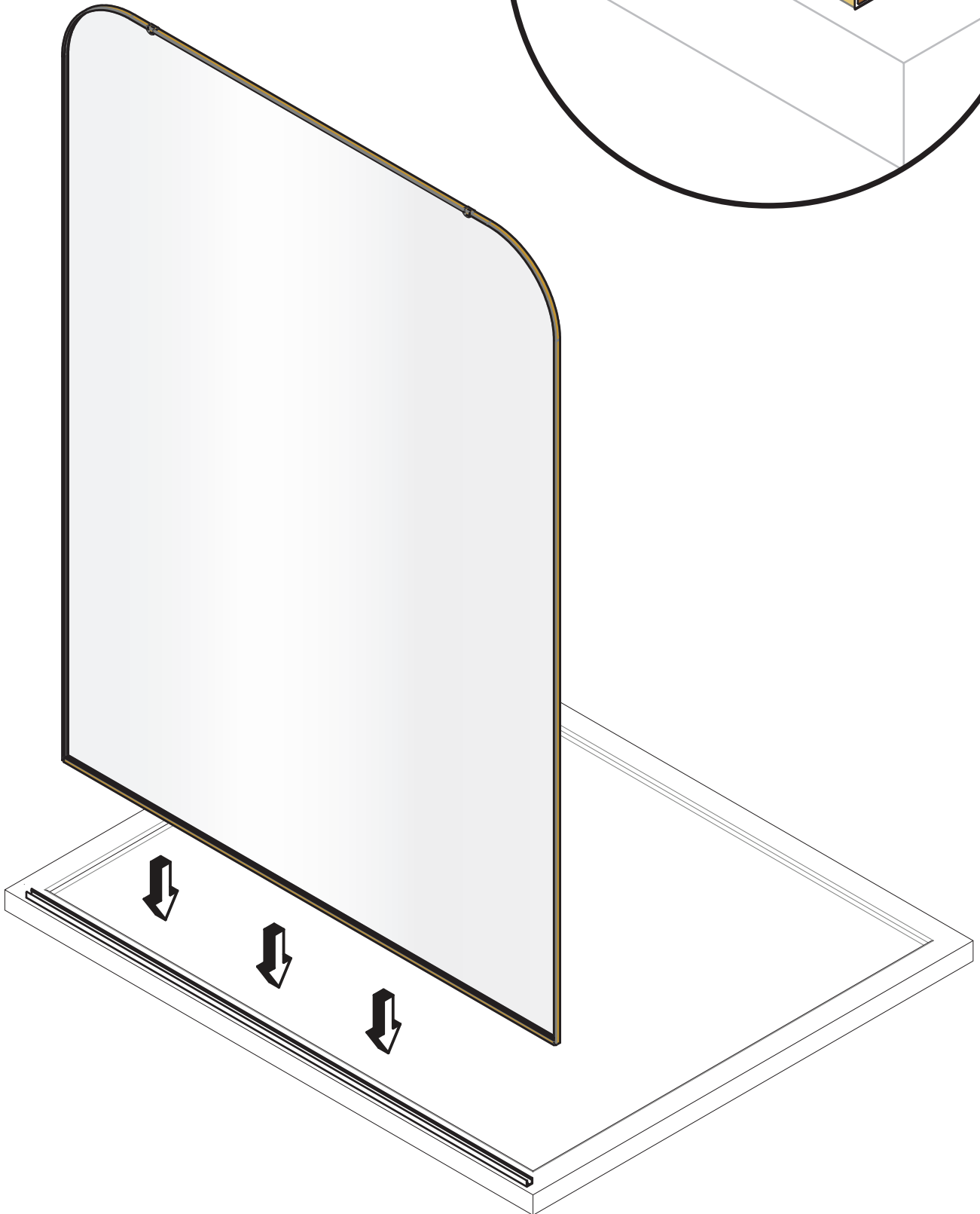
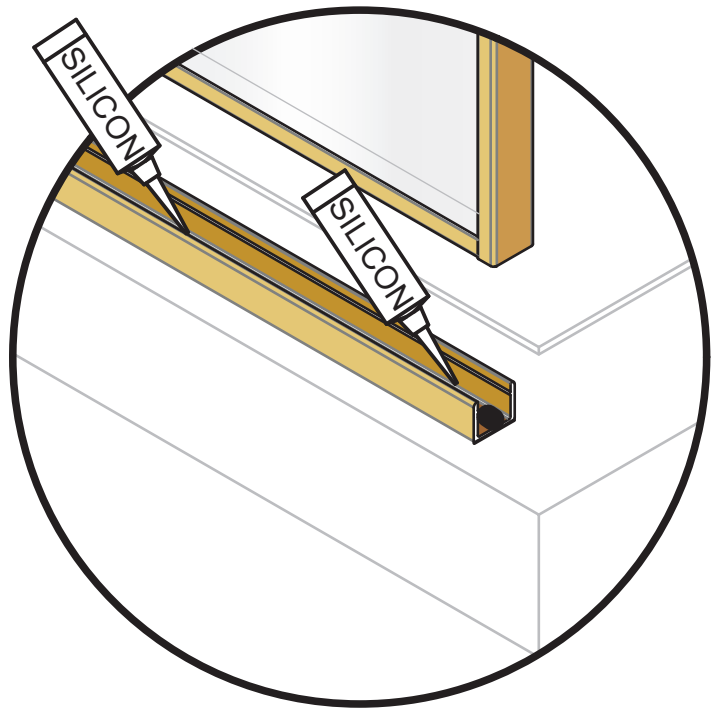
Dimensions are approximate



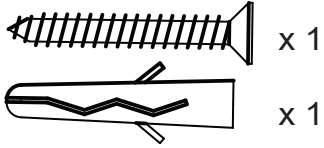
STAGE 1 - FITTING HORIZONTAL TRACK



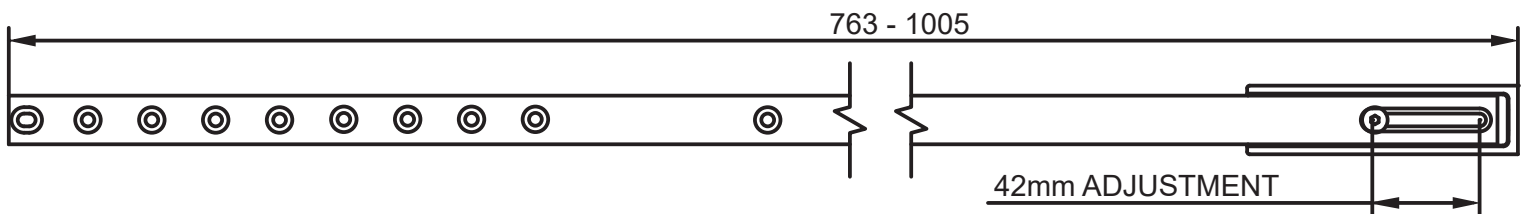
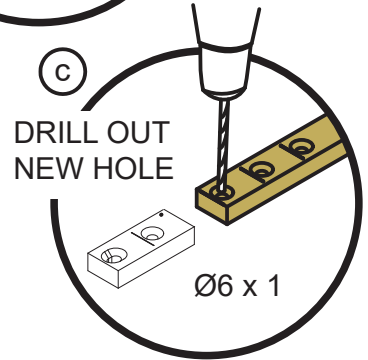
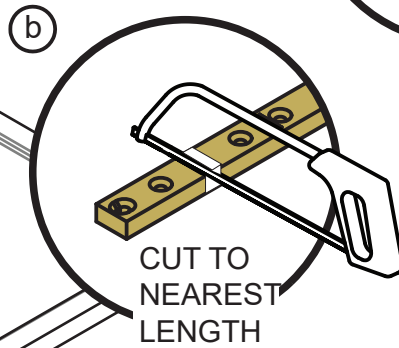
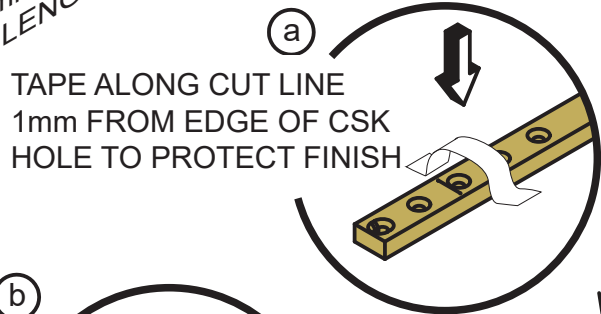
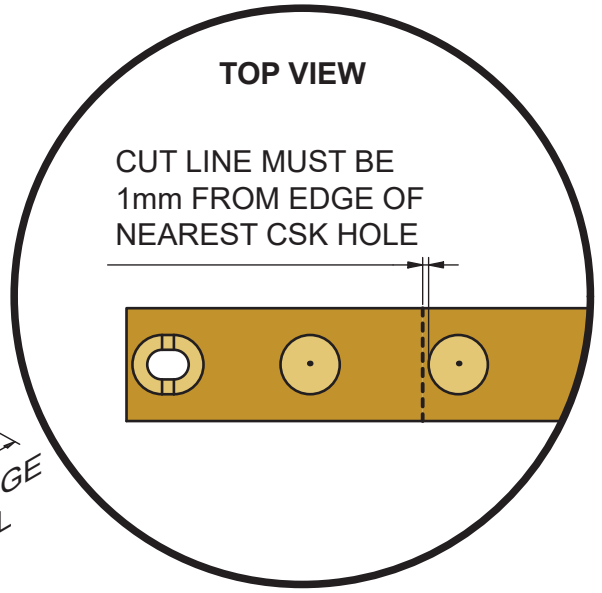
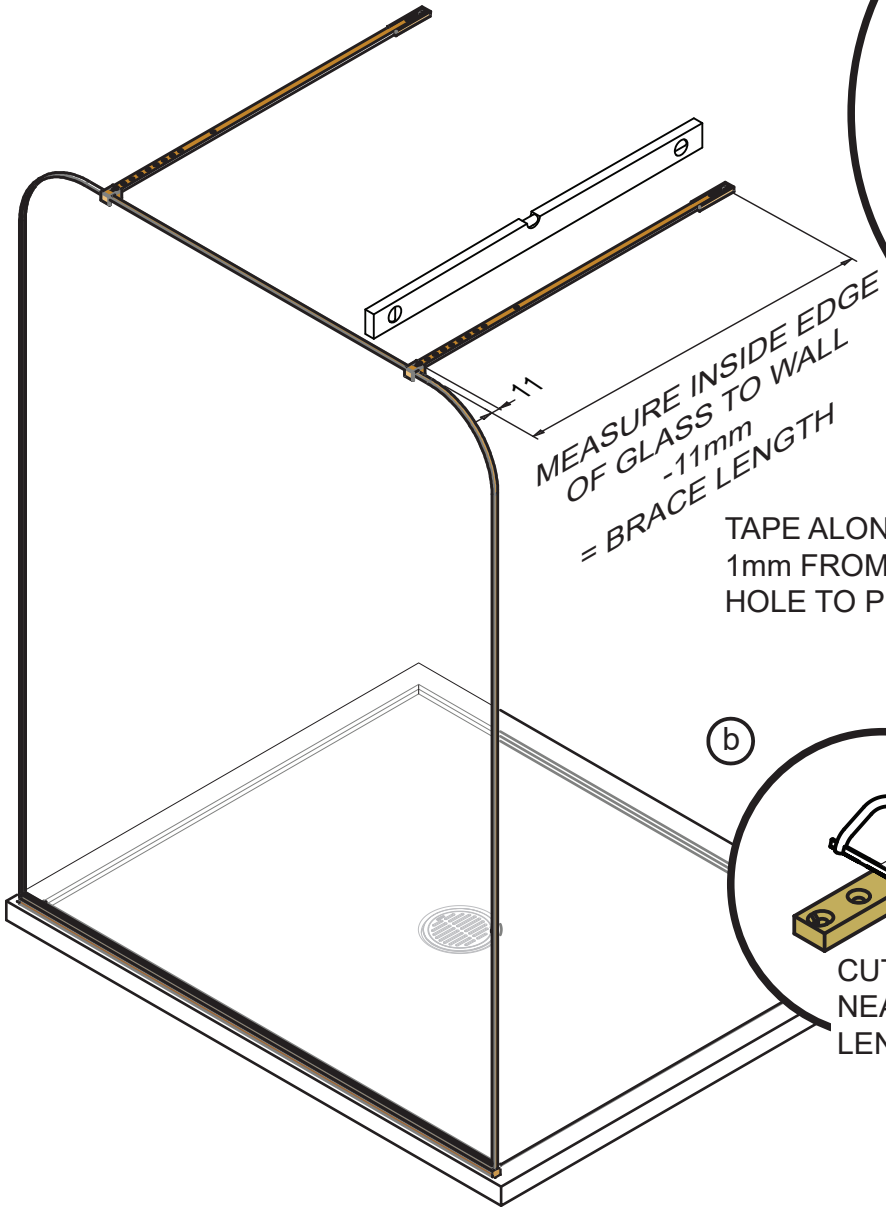
STAGE 2 - FITTING GLASS



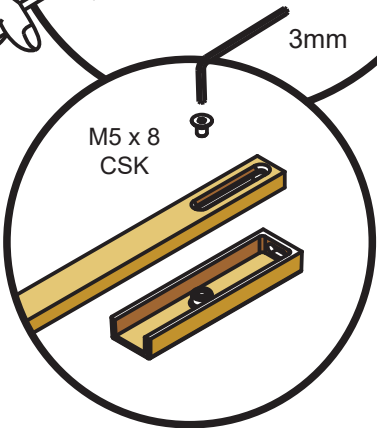
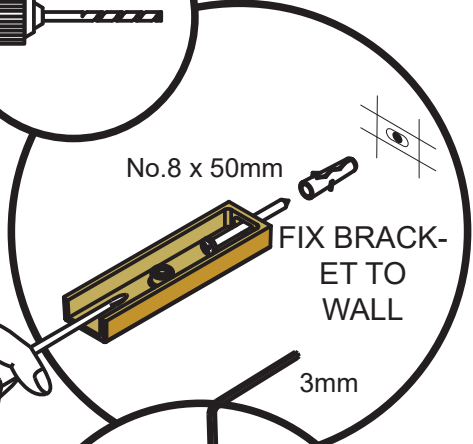
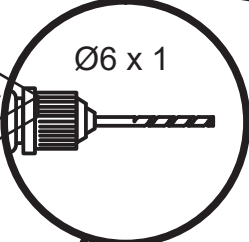
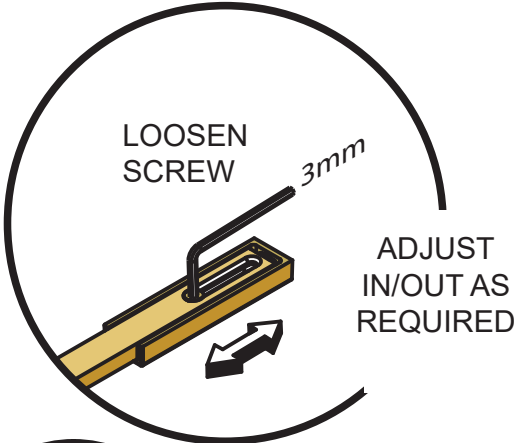
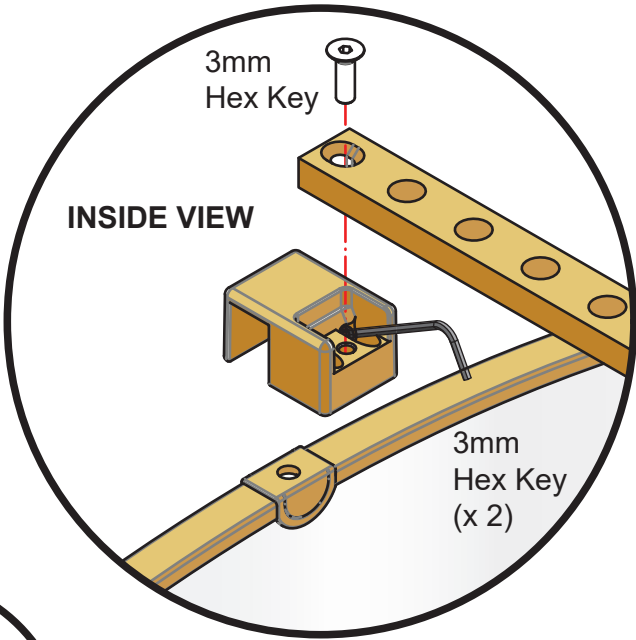
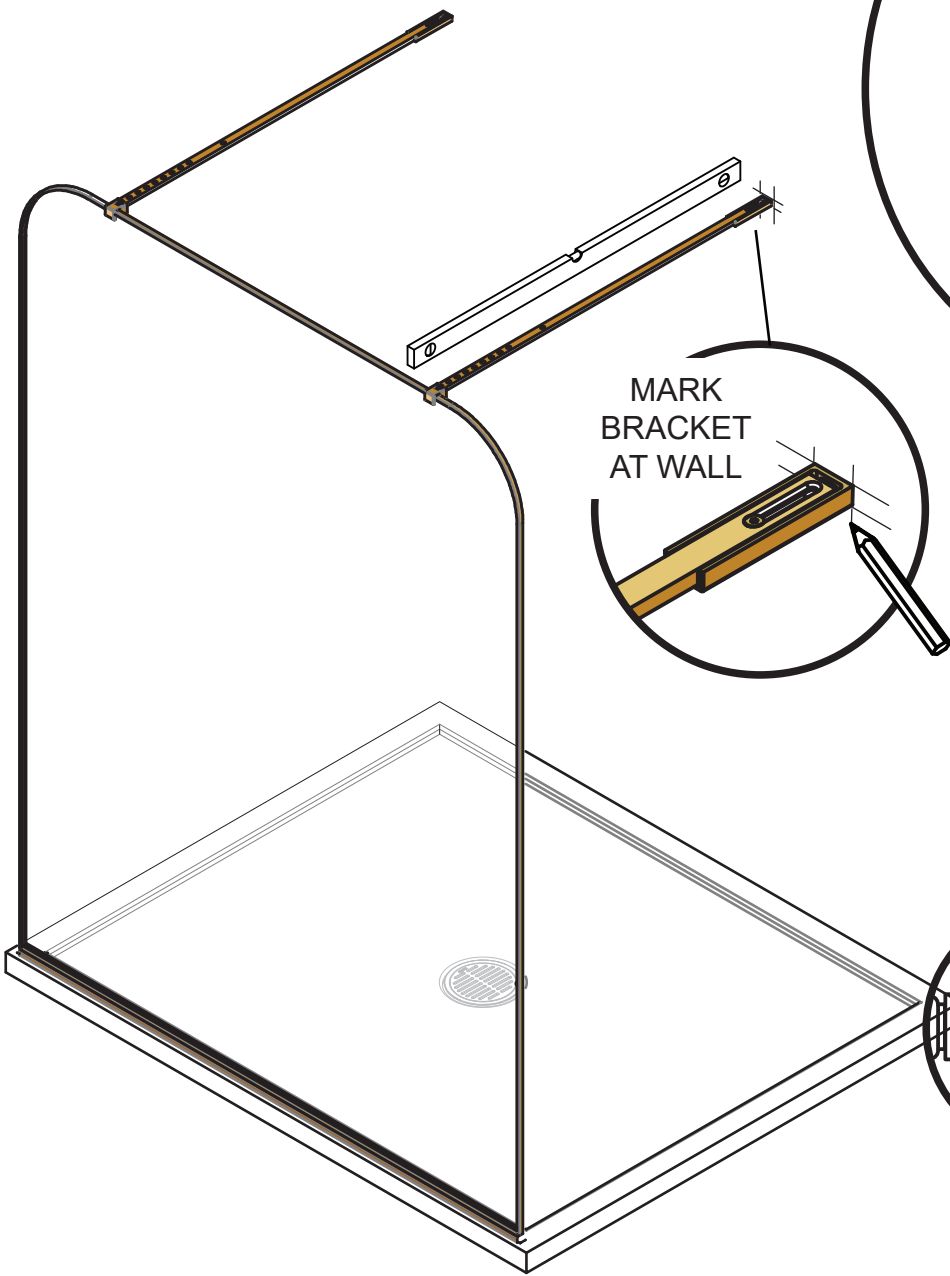
STAGE 3: SIZING THE BRACE BAR



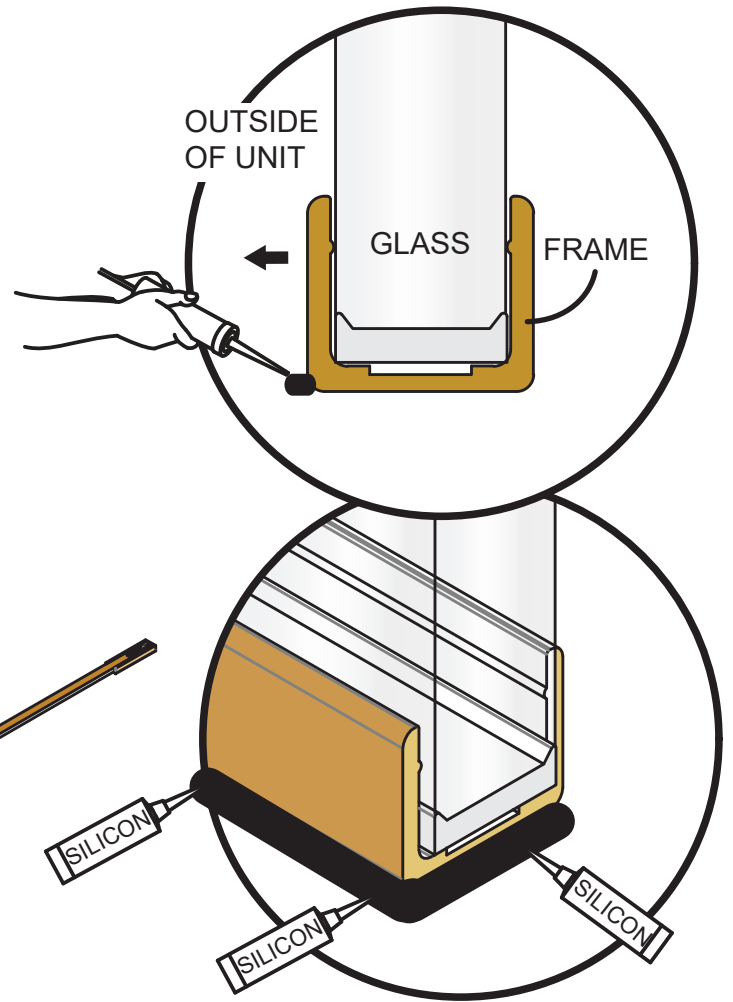
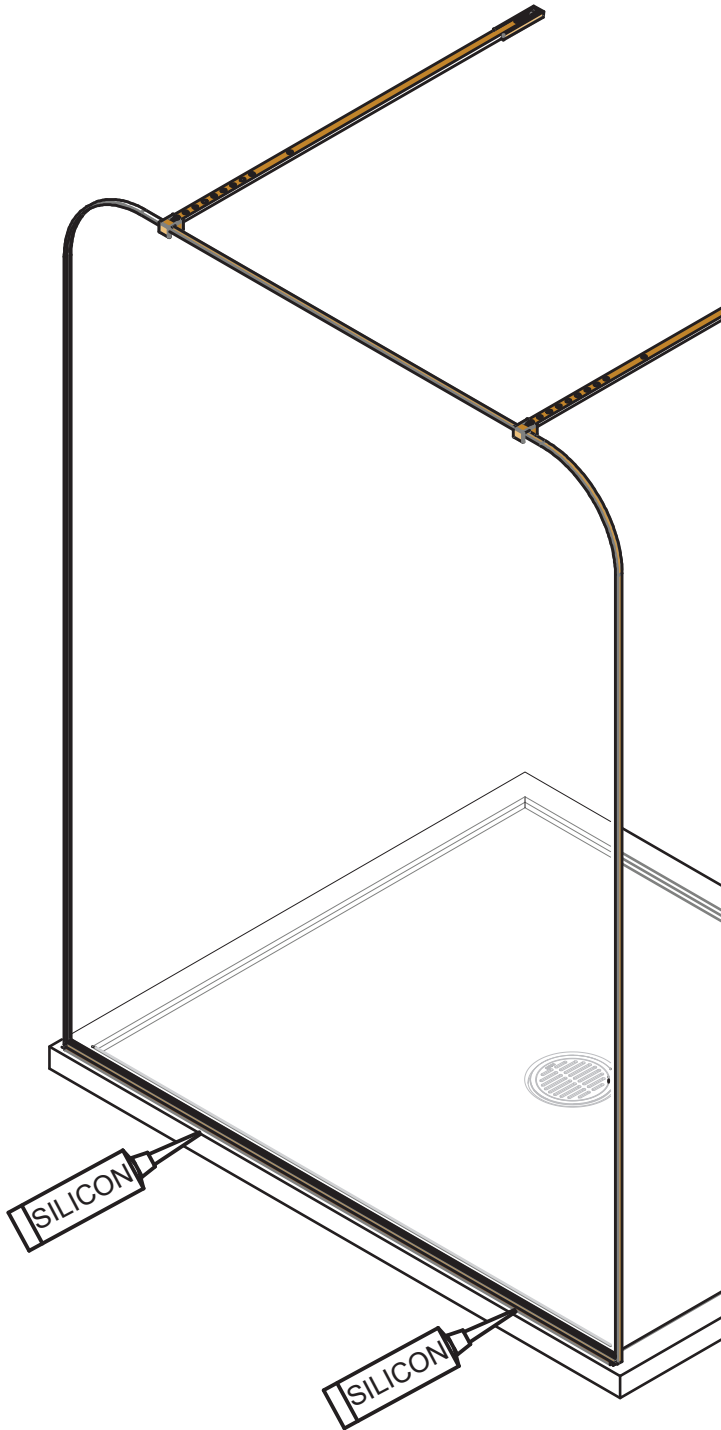
IF REQUIRED!
FOLLOW STEPS a-c
TO RESIZE BRACE
BAR



STAGE 4: FITTING THE BRACE BAR

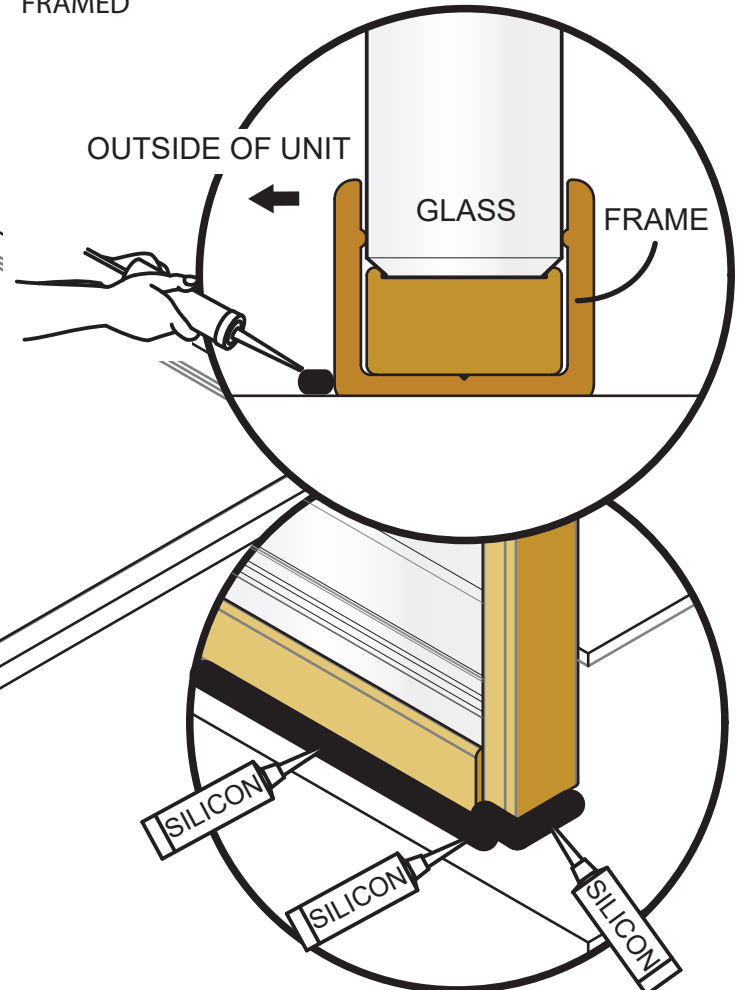


STAGE 5: SEALING



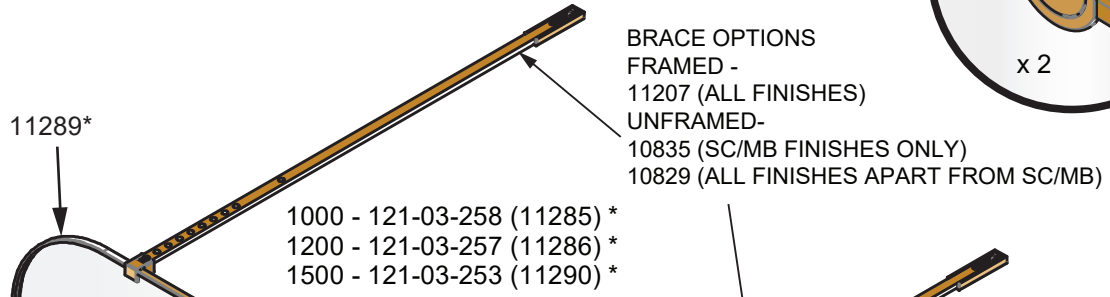
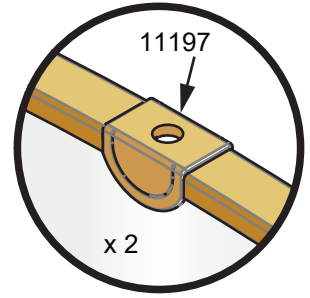
UNFRAMED

FRAMED



PARTS LIST

* FRAMED (MODEL EFDT) ONLY

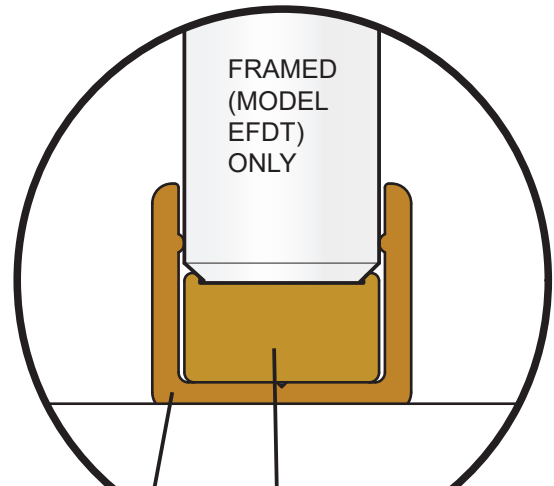
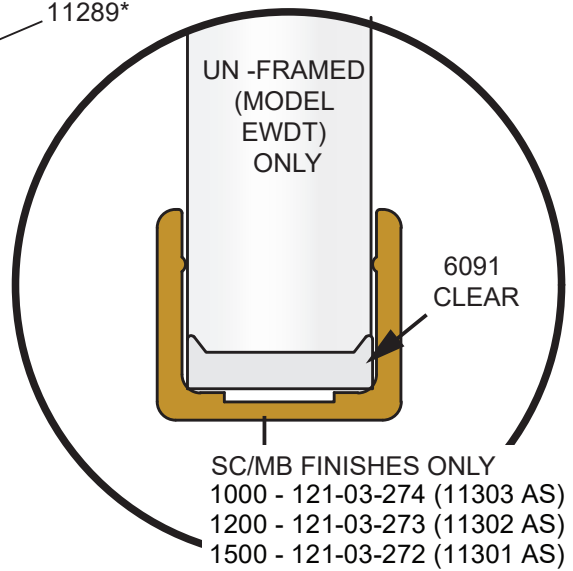


BRACE OPTIONS
 FRAMED -
 11207 (ALL FINISHES)
 UNFRAMED-
 10835 (SC/MB FINISHES ONLY)
 10829 (ALL FINISHES APART FROM SC/MB)

1000- 11137 MGG CLEAR
 11137 M FLUTED *

1200- 11136 MGG CLEAR
 11136 M FLUTED *

1500- 11244 MGG CLEAR
 11244 M FLUTED *



1000 - 121-03-260 (11287)	1000 - 121-03-131 (9740)
1200 - 121-03-251 (11147)	1200 - 121-03-133 (9742)
1500 - 121-03-254 (11291)	1500 - 121-03-136 (9745)

We recommend that these instructions are handed to the user with a note of a date of purchase and model details.
 To order replacements quote:Part Descriptions, Model, Part Number and Colour.