

# Arcadia OG017 850x600

Height: 850

Width: 600

Depth: 275

Weight HO: 14.5 kg

EO: 20.5 kg

Tube  $\phi$ : 31.8

Face-Face Connections: 443

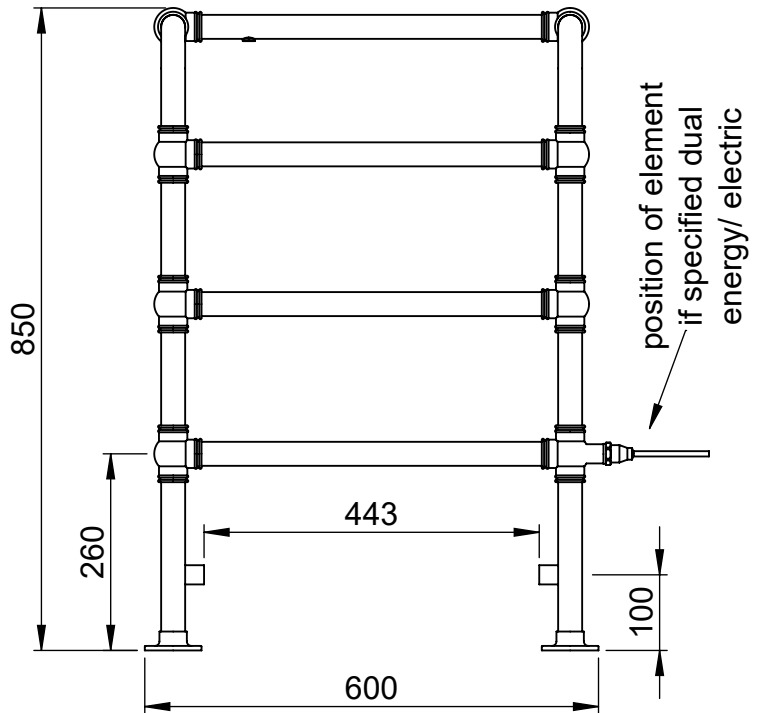
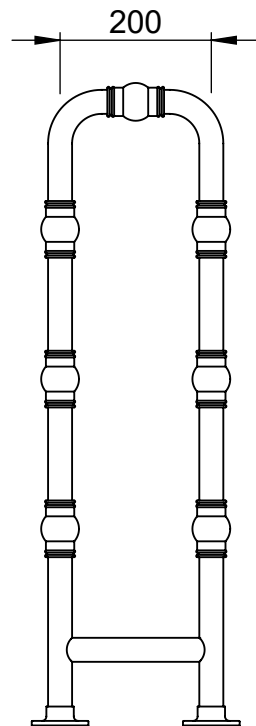
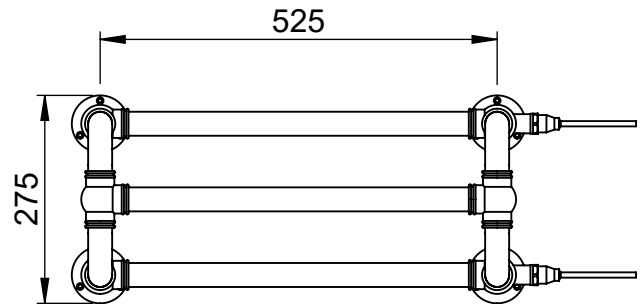
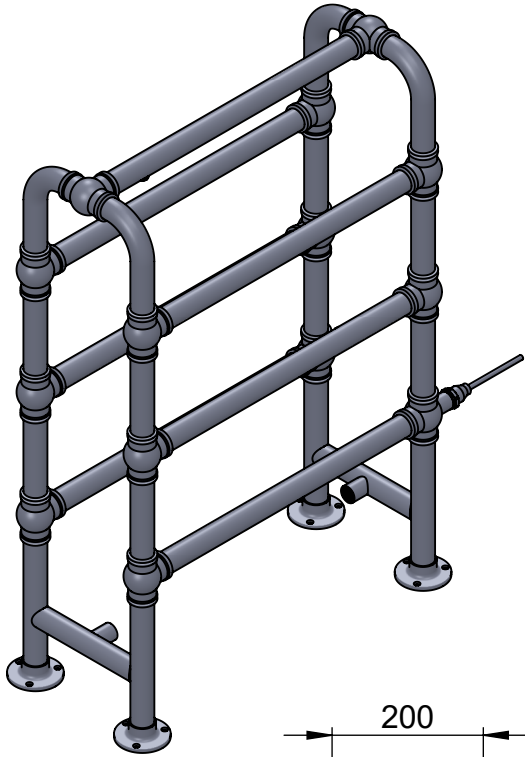
Elec. element if specified: 2 x 125

Output @ 50°C  $\Delta$  T Watts: 439

BTUs: 1498

All dimensions in millimetres

Manufactured from ISO/CEN CuZn36As (BS CZ126) brass tube



Vogue UK Ltd. reserve the right to alter specifications without prior notice.  
ALL MEASUREMENTS ARE NOMINAL DIMENSIONS ONLY, AND ARE NOT BINDING.



SCALE 1:10



## VOGUE UK

TOWEL WARMERS & RADIATORS

Strawberry Lane, Willenhall  
West Midlands WV13 3RS  
Tel: 01902 387000 Fax: 01902 387001  
e-mail: sales@vogueuk.co.uk www.vogueuk.co.uk