

ILBAGNOALESSI

Bathtub, oval, semi-recessed, with half panel,
with centre outlet, sanitary acrylic

DIMENSIONS

Length	2030 mm
Width	1020 mm
Height	575 mm

COLOUR AND FINISH

000 White

OPTIONS

000 - standard option

SPECIFICATION TEXT

Bathtub made of sanitary acrylic of 4-5 mm

Semi-recessed version, with front panel

Only to combine with furniture panel

With aluminium frame

Charge 000 – without whirl system, without waste and overflow

Bathtub with whirl system, with sensor control:

Charge 675 – Whirlpool with air and hydro massage and LED light

Charge 695 – Whirlpool with air and hydro massage, disinfection system and LED light

Bathtub with whirl system, with remote control:

Charge 056 – Whirlpool with surround sound system, air and hydro massage and disinfection system, hydro heating and LED light

Charge 057 – Whirlpool with surround sound system, air and hydro massage and disinfection system, hydro heating, LED light and cold mist function

MOUNTING ACCESSORIES INCLUDED

Charge 056-695 – waste and overflow, chromed

Flex-pipe 1m, order no. 294439

MOUNTING ACCESSORIES EXCLUDED

Charge 000 – waste and overflow, chromed, order no. 294457

Charge 000 – combined water inlet and overflow, chromed, order no. 294458

Charge 056-695 – combined water inlet and overflow, chromed, order no. 294498

Drain : Not included

Internal length (mm) : 1200

Shape : Oval

Installation structure : With frame and panel

Internal width (mm) : 600

Waste diameter (mm) : 52

Installation type : Semi-recessed

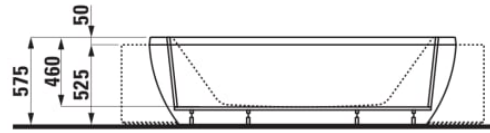
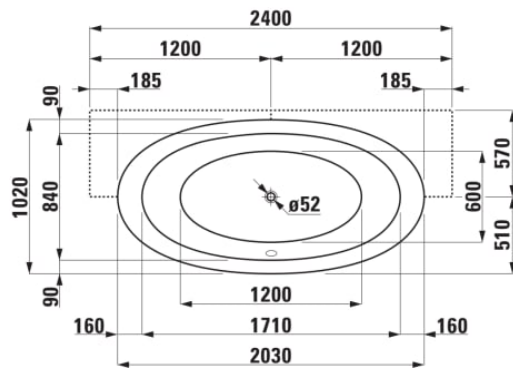
Material : Acrylic

Water capacity to overflow (l) : 230

Internal height (mm) : 460

Net weight (kg) : 41

TECHNICAL DRAWINGS



COMPATIBLE WITH



Waste and overflow
without water inlet

H295148...0001



Waste and overflow with
water inlet

H295149...0001

ILBAGNOALESSI

ILBAGNOALESSI is a bathroom design that has cast its spell over the home design world for years: It is characterised by a timeless form, sparkling imagination and a hint of eccentricity. This design award-winning ensemble is the creation of Italian designer star, Stefano Giovannoni.

