

KARTELL LAUFEN

Freestanding bathtub, made of Sentec solid surface



DIMENSIONS

Length	1715 mm
Width	815 mm
Height	520 mm

COLOUR AND FINISH

000 White

OPTIONS

000 - standard option

SPECIFICATION TEXT

Freestanding bathtub made of Sentec solid surface material with overflow slot incl. click-clack waste and chrome cover
Charge 000 – without whirl system

MOUNTING ACCESSORIES INCLUDED

click-clack waste with chrome cover, order no. 295107
Drilling template, order no. 295330
Flex-pipe 1m, order no. 294439

Drain : Included

Installation structure : Naked

Installation type : Freestanding

Internal height (mm) : 450

Internal length (mm) : 1290

Internal width (mm) : 490

Material : Sentec

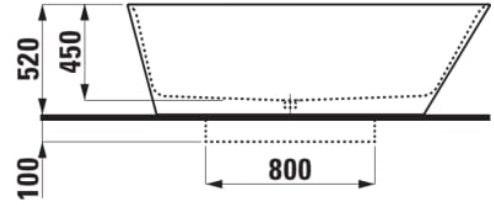
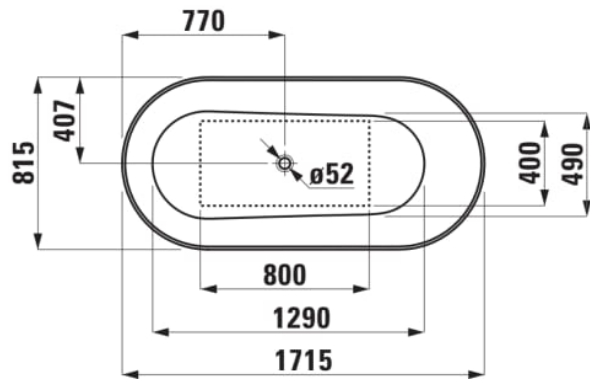
Net weight (kg) : 104

Shape : Oval

Waste diameter (mm) : 52

Water capacity to overflow (l) : 275

TECHNICAL DRAWINGS



COMPATIBLE WITH



Backrest, light grey

H2923400870001



Neck cushion, black, self-adhesive, for curved bathtub contours

H294103...0001



Neck cushion, black, self-adhesive, for straight bathtub contours

H294680...0001



Kartell LAUFEN

Kartell • LAUFEN transports you to a realm of ethereal beauty, where the ordinary dissolves into a bold fusion of colour, light, and design. This visionary collaboration redefines the bathroom, inviting you to shape a fluid, ever-evolving space, transforming it from mere function into a canvas for creativity and self-expression.

