

SAMUEL HEATH

Product Number: V7K20-3LK-RH-CP

Description: 2 Hole wall mounted basin mixer, right handed, 214mm spout length



Standards



Flow rates

| Litres/Min | 0.1 Bar | 0.5 Bar | 1.0 Bar | 2.0 Bar | 3.0 Bar | 4.0 Bar | 5.0 Bar |
|------------|---------|---------|---------|---------|---------|---------|---------|
| | | 2.5 | 3.6 | 5.1 | 6.5 | 7.5 | 8.6 |

Flow rate data provided is indicative of each product and is given in open outlet conditions. Installation design, external connections and fittings not supplied may affect the data provided.

Finishes Available



Control Options Available



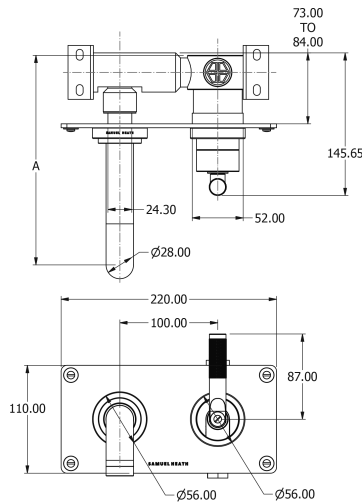
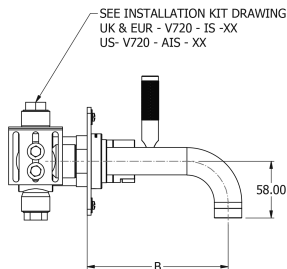
Specification Drawing

SPOUT LENGTHS

V7K20-1: A = 217mm to 228mm
B = 144mm

V7K20-2: A = 257mm to 268mm
B = 184mm

V7K20-3: A = 287mm to 298mm
B = 214mm



UK Customer Service
Leopold Street
Birmingham
B12 0UJ
Tel: +44 121 766 4200
Email: info@samuel-heath.com

US Customer Service
Federal I.D. No. 58-1504682
Email: usa@samuel-heath.com

Specification Enquiries
Design Centre Chelsea Harbour
1st Floor, North Dome, London
SW10 0XE
Tel: 020 7352 0249
Email: showroom@samuel-heath.com

1-07/10/2024