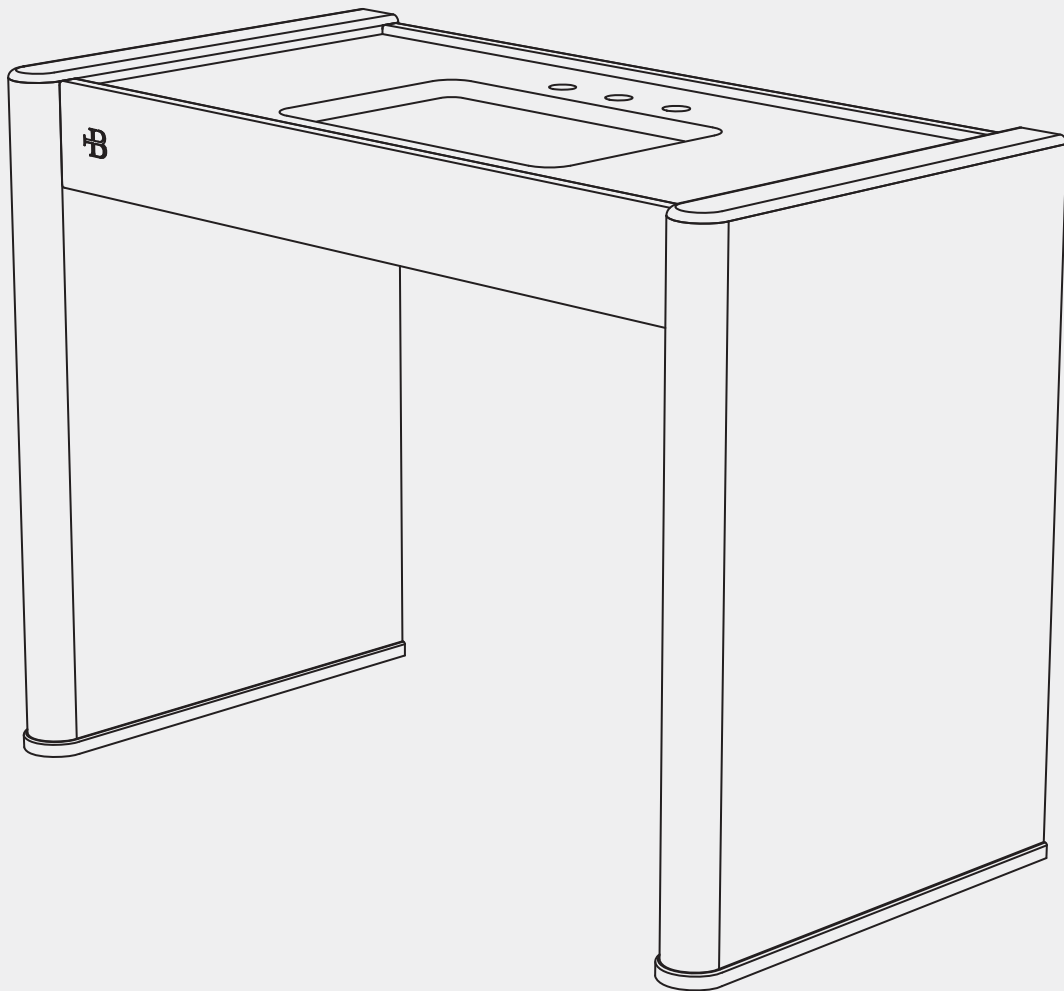


INSTALLATION INSTRUCTIONS

LB 6342

PIANO GRANITE CONSOLE

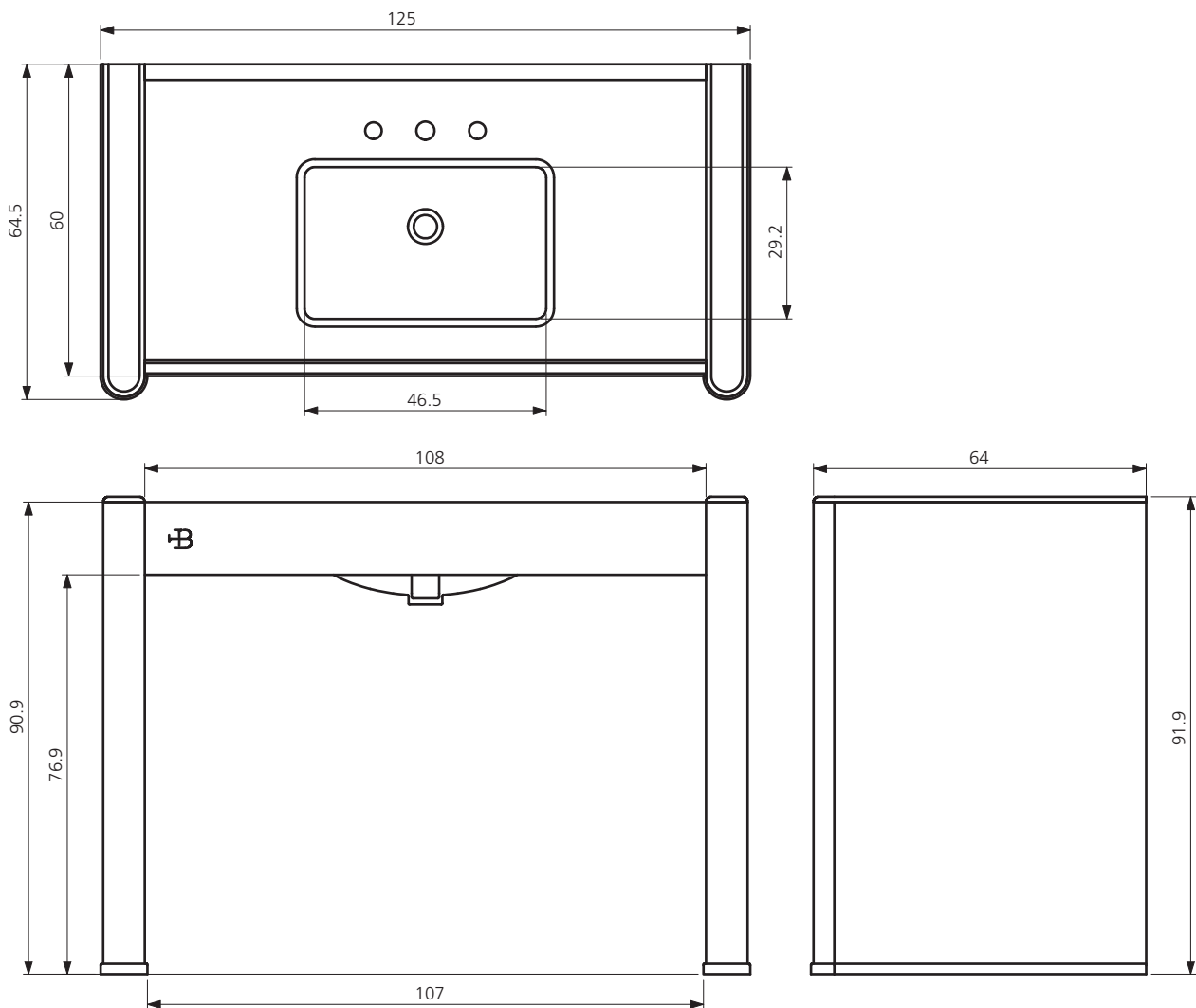


L E F R O Y B R O O K S

Specifications

Dimensions (In Centimetres)

LB 6342 Piano Granite Console

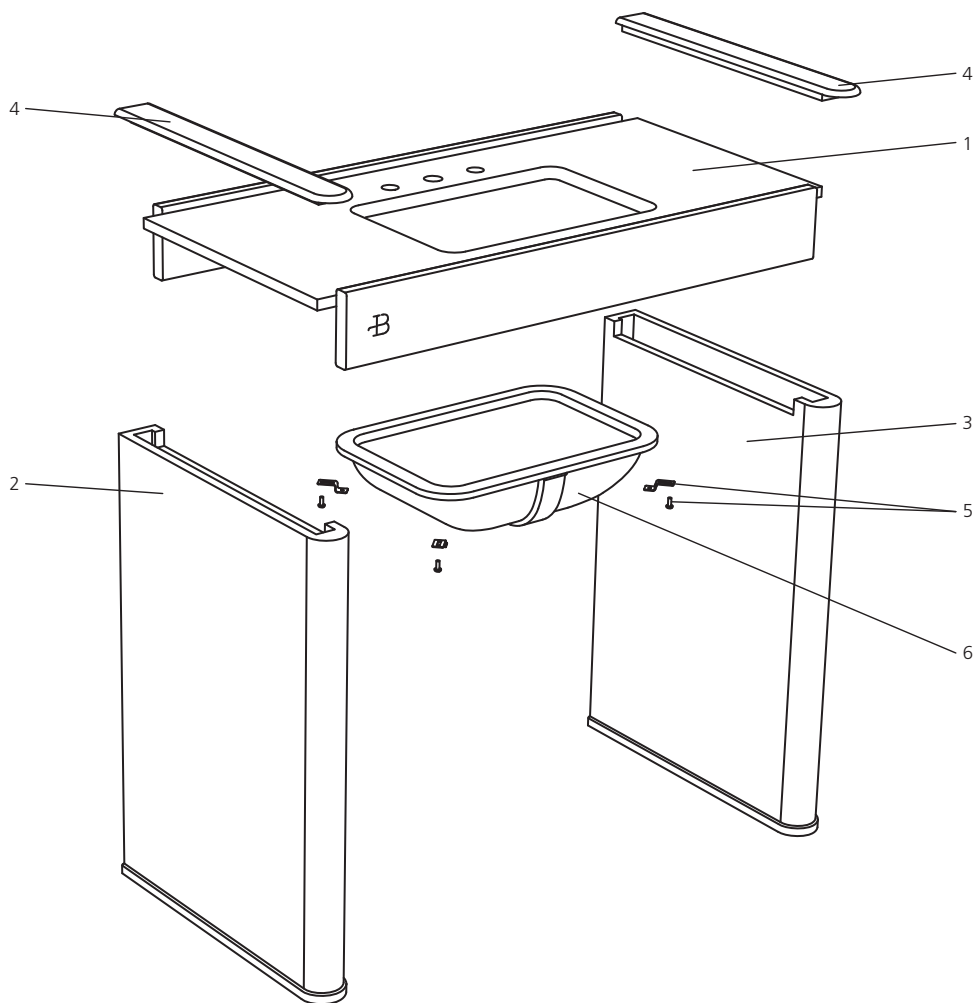


Whilst every effort is made to ensure accuracy, design and dimensions are subject to change without notice as part of the company's product development process.

Exploded View

Spare Parts List

LB 6342 Piano Granite Console



- 1 Piano console top
- 2 Piano leg left
- 3 Piano leg right
- 4 Piano leg caps
- 5 Basin clip set
- 6 Basin

LB 6342 A	QTY: 1
LB 6342 B L	QTY: 1
LB 6342 B R	QTY: 1
LB 6342 C	QTY: 2
XX 250	QTY: 4
LB 7250	

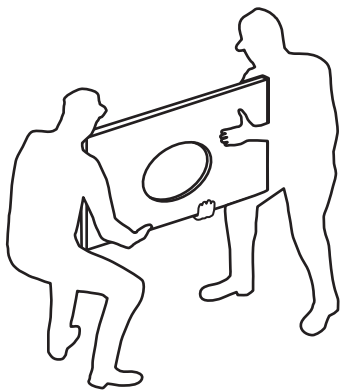
Important Information

Preparation

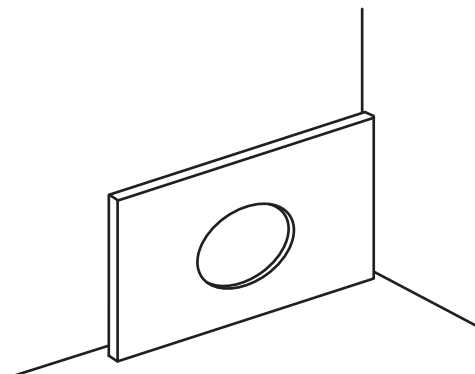
- This product should be installed by a suitably qualified professional.
- A minimum of 4 people is recommended to complete this job.
- Before beginning ensure that all horizontal surfaces are level and vertical surfaces are plumb.
- Ensure the wall and floor have sufficient load bearing capabilities to allow this product to be installed safely and securely.
- Take care when lifting and observe proper safety procedures.
- Wear protective boots and gloves.

Product Care

- Granite is fragile and can easily be damaged during transportation and installation. Take special care when the product is being moved and assembled.
- For your own safety and as to not damage the product:



Always carry **vertically**

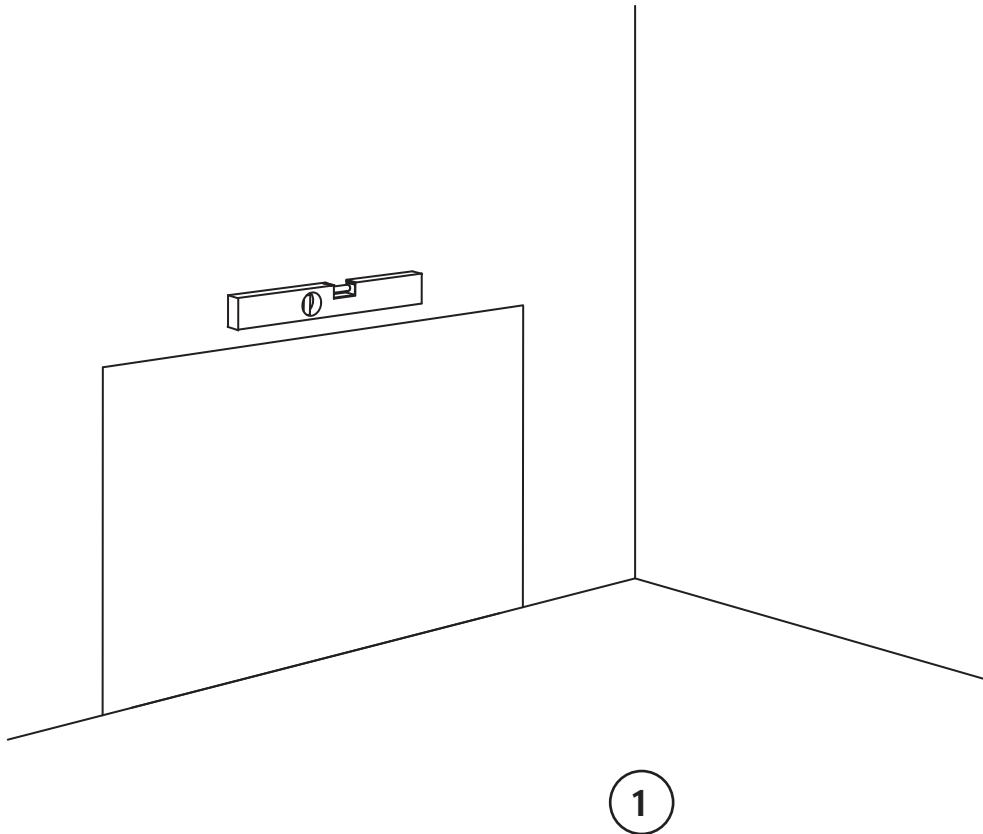


Always store **vertically**

- Do not open the crate whilst in the vertical position. Make sure that the crate is laid down **horizontally** before unclipping for personal safety and to prevent damage.

Step 1

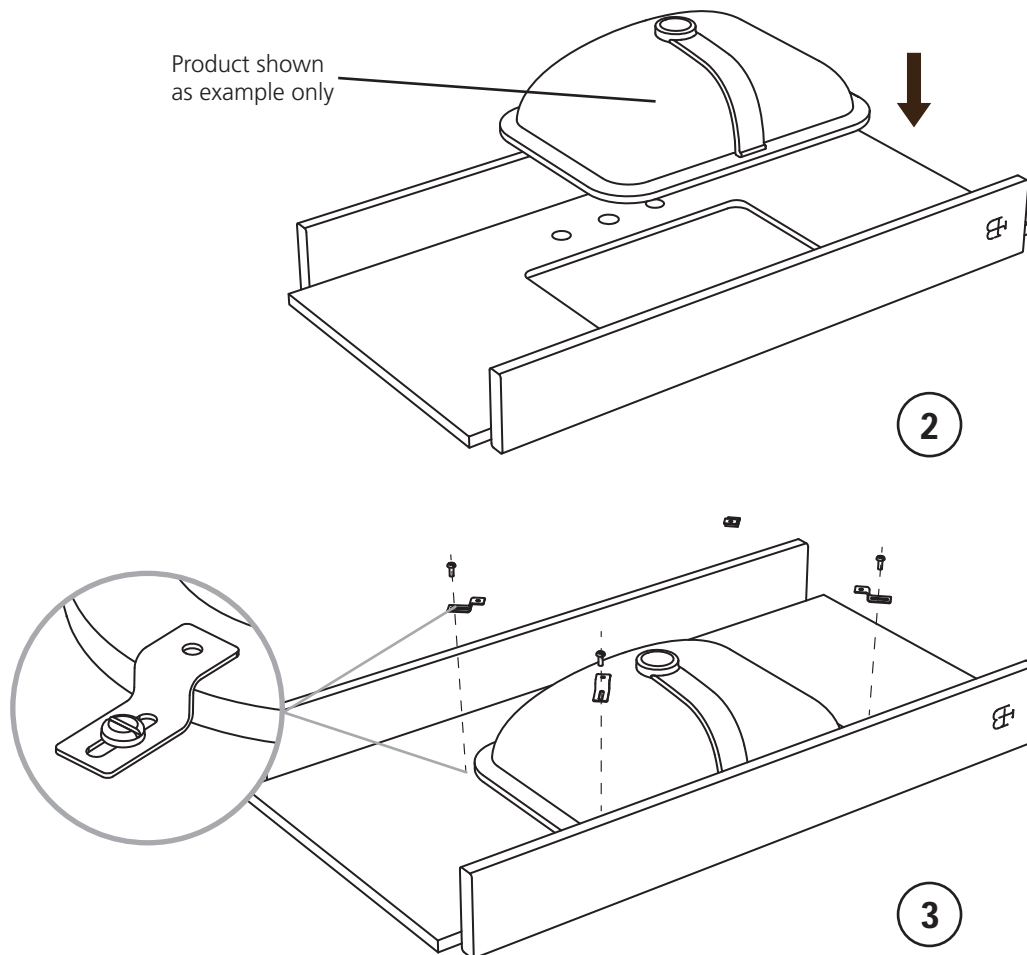
Installation Procedure



- 1 Make sure that the wall and deck are square and plumb.

Steps 2-3

Installation Procedure



- 2** Prepare a clean and protective surface. Carefully place the countertop face down onto the surface.

Position and fix the basin to the underside of the countertop using suitable mastic.

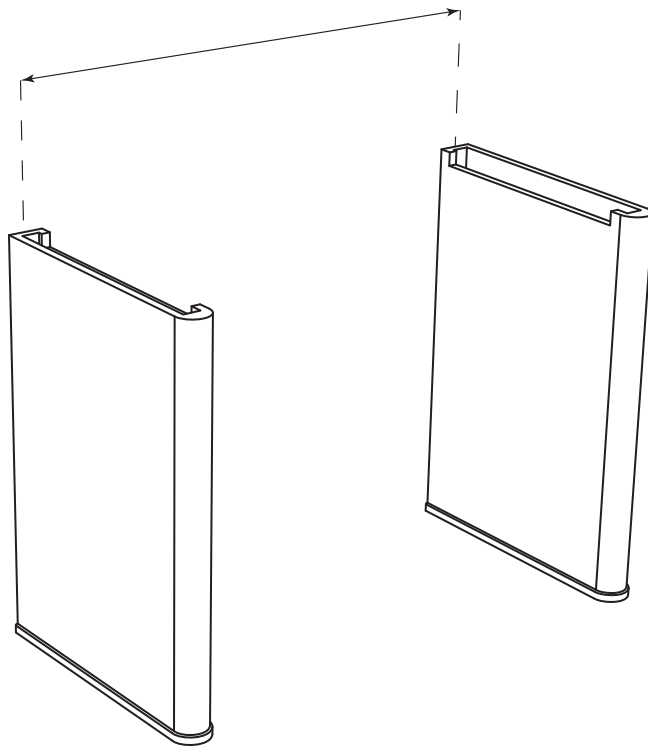
Ensure the basin is in line with the countertop.

Leave the assembly to set overnight before continuing.

- 3** Secure the basin in place using the clips and screws provided.

Step 4

Installation Procedure



4

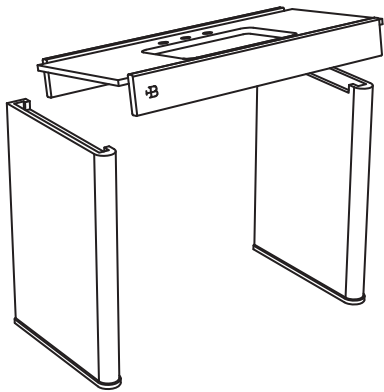
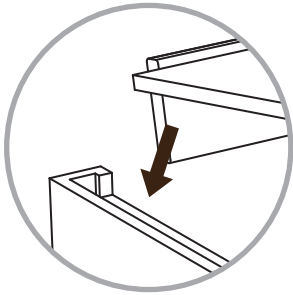
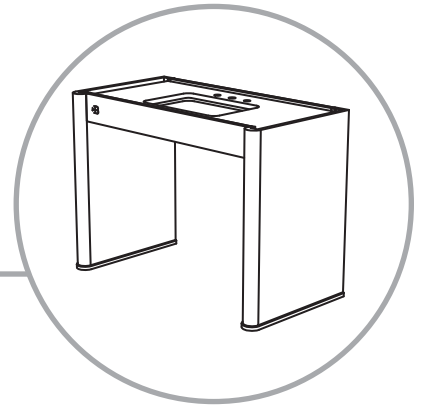
- 4 Position legs the correct distance apart as indicated by the specification page.

Note: Due to the tolerance of the marble, all dimensions are approximate.

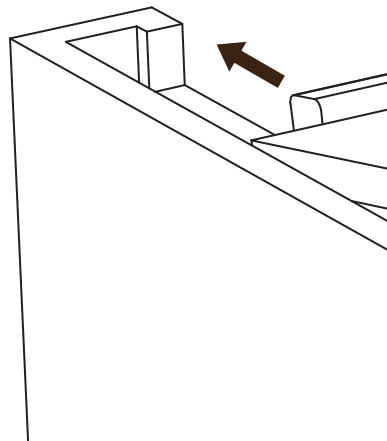
Important: Before cementing, assemble all components together to ensure correct spacing and placement.

Steps 5-7

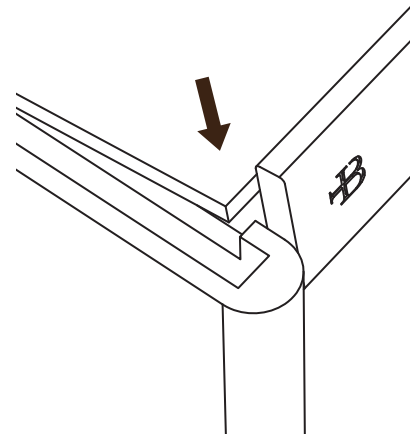
Installation Procedure



5



6



7

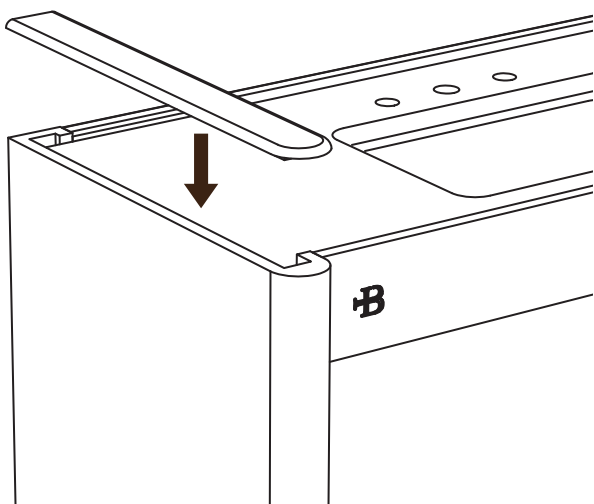
5 Lower the countertop.

6 Carefully slide the countertop backwards and into position.

7 Lower the front edge down and into place. Check with spirit level.

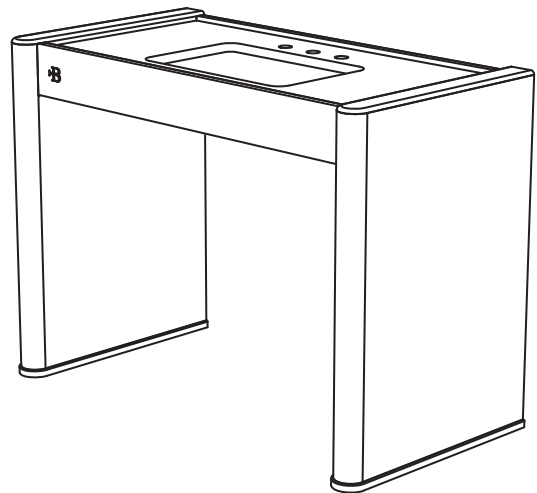
Steps 8-9

Installation Procedure



8

8 Cement leg caps into place.



9

9 Complete installation.

Important:

Any brassware should be attached and plumbed by an experienced plumber.

Aftercare

Cleaning & Maintenance

- Marble is a porous and delicate material.
- Do not use abrasive wipes.
- Avoid abrasive and harsh cleaning agents.
- Never use acid-based products for cleaning.
- Clean with a clean soft damp cloth. Use a mild detergent and warm water.

T +44 (0)1992 708 316

WWW.LEFROYBROOKS.CO.UK



L E F R O Y B R O O K S

Lefroy Brooks, Ibroc House, Essex Road, Hoddesdon, Hertfordshire,
EN11 0QS, England

Whilst every effort is made to ensure the accuracy of these, they are subject to change without notice as part of the company's product development process. The use of trademarks, product design and artwork is subject to licence or agreement with LBIP Ltd. The design registrations, trademark registrations and copyrights are protected by law and the use or reproduction outside the terms of an agreement is prohibited. The right to modify designs and dimensions is reserved. LBIP Ltd is a member of ACID (Anti Copying in Design).

© COPYRIGHT 2015 LBIP LTD. ALL RIGHTS RESERVED.